

Replacement Parts for Infra-Rez® Infrared Heater Models VR, TR, TRPA, TRP, and RIH/RIHV

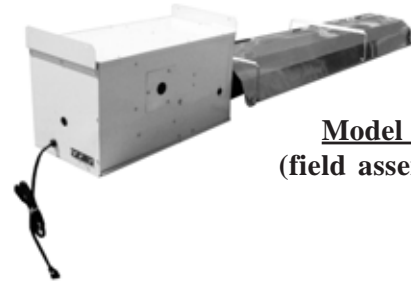


Form P-VR/TRPA/RIH (Version B)
 Obsoletes Form RZ-NAP-VR/TRP/RIH (Version A)

INDEX by Model	VR	TR*	TRPA	TRP	RIH(V)
Replacement parts on pages	4 - 8	9	10 - 11	12 - 14	15 - 16
Burner Assembly	4	*	11	12	16
Capacitor	4	--	--	12	--
Chains for Hanging	7	9	10	14	15
Combustion Chamber Tube	6	*	--	--	--
Connection Hardware	6	*	--	14	--
Connector, Flexible Gas (Option CD)	8	8	8	8	15
Conversion Kit, Altitude	4	--	--	--	--
Conversion Kit, Gas	4	9	11	13	--
Conversion Label, Size	3	--	--	--	--
Cord, Power	4	9	11	13	--
Door Assembly (Burner Box)	4	--	10	12	--
Electric Components	4-5	9	11	12-13	15
Hardware Package (To replace missing hardware in a tube package.)	6	*	--	--	--
Heat Exchanger Section Assembly	--	*	10	14	--
Heat Exchanger Tube (5-ft) (Opt UA1)	6	*	--	--	--
Heat Exchanger Tube (10-ft)	6	*	--	--	--
Ignition Controller	4	9	11	13	15
Inlet Air Kit (Combustion Air) (Opt DE2)	7	7	--	--	--
"L" Heat Exchanger Tube (Option UC2)	6	*	--	--	--
Manifold	--	*	11	13	16
Motor	4	9	11	12	--
Multiple Heater Control (Option CL31 and Option CL32)	8	8	--	--	--
Orifice, Air (Combustion Air Restrictor)	4	--	--	--	--
Orifice, Gas	4	9	11	13	16
Pilot	--	9	--	--	15
Rating Plate	2 & 3	2 & 3	2 & 3	2 & 3	--
Reflector	6	*	10	14	16
Reflector End Cap	6	*	10	14	--
Relay	4	9	--	--	--
Restrictor Plate	4	*	--	--	--
Screen, Protective (Option DN3)	--	--	--	--	16
Separated Combustion Vent Terminal / Combustion Air Kits (Option CC2 and Option CC6)	--	--	--	14	--
Serial No.	2 & 3	2 & 3	2 & 3	2 & 3	--
Shield, Heat (Option DO3)	--	--	--	--	16
Shield, Side (Options CD 13-20, 30-31)	7	*	--	14	--
Switch, Air Pressure	4	9	11	12	--
Transformer	4	9	11	12	--
Thermostat/Thermostat Accessories	8, 9	8, 9	9	9	15
Tubes	6-7	*	10	14	--
Turnbuckle	8	8	8	8	--
"U" Heat Exchanger Tube (Option UB3)	7	--	--	--	--
Valve	4	9	11	13	15
Vent Box	--	--	10	--	--
Vent Cap	8	8	8	8	--
Vent Kit for Dual Vent (Option CC5)	8	8	8	8	--
Wire Grid (Option DN2)	--	--	--	--	16

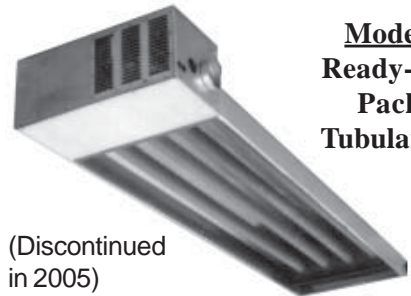
*Burner box and tube system parts including reflectors designed for Model TR are no longer available. Refer to page 9 for information on selecting compatible Model VR parts.

Low-Intensity, Tubular, Infrared Models



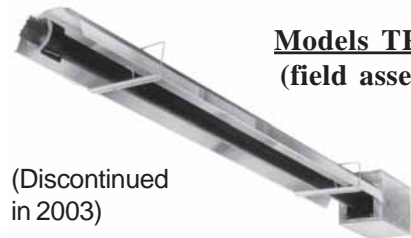
Model VR
(field assembled)

Burner/Control Box of a Model TRPA Ready-to-Hang Packaged Tubular Heater



Model TRP
Ready-to-Hang Packaged Tubular Heater

(Discontinued in 2005)



Models TR/TR-H
(field assembled)

(Discontinued in 2003)



High-Intensity, Infrared Models



Models RIH/RIHV
High-Intensity Infrared Heaters

Rating Plate and Serial No. (Example is for a Model VR)

REZNOR
MERCER, PA. USA 16137

MADE IN MEXICO NRTL

INFRARED RADIANT TUBE HEATER
FOR INDUSTRIAL/COMMERCIAL USE ONLY
CERTIFIED UNDER ANSI Z83.20b- [B] CSA 2.34b- [C] LOW INTENSITY INFRARED HEATER

MODEL [A]
SERIAL # [D]

[E] VOLTS [E] PH [E] HZ MAXIMUM TOTAL INPUT [E] AMPS
TYPE OF GAS: [F]
FOR USE AT 0-2000 FEET, 0-610 METERS OF ALTITUDE
ORIFICE SIZE: [G] DRILL



NORMAL INPUT [H] BTU/HR
NORMAL MANIFOLD PRESSURE [I] IN. W.C.
MIN. PERMISSIBLE GAS SUPPLY PRESSURE FOR PURPOSE OF INPUT ADJUSTMENT [J] IN. W.C.

CLEARANCE TO COMBUSTIBLE CONSTRUCTION: TOP - 12" *, FLUE CONNECTION - 6", BURNER END - [K], EXHAUST END - 24", HEAT EXCHANGER BEND (U OR L) - [L]
* 18" IF UNVENTED SIDES

REFLECTOR	MAX. MOUNTING ANGLE BELOW	(FRONT/REAR)
STANDARD REFLECTOR	0 TO 30 DEG. [M]	[N]
STANDARD REFLECTOR	31 TO 45 DEG. [M]	[O]
STANDARD REFLECTOR W/SIDE SHIELDS (ONE SIDE ONLY)	0 TO 30 DEG. [M]	[P]

THIS UNIT CAN BE INSTALLED IN VARIABLE CONFIGURATIONS AS SPECIFIED IN THE MANUFACTURER'S FORM RZ-NA T-VR-CNFG. FOR STRUCTURES LISTED BELOW, USE APPLICABLE STANDARDS: INSTALLATION OF THIS UNIT IN AIRCRAFT HANGARS IN CANADA MUST BE IN ACCORDANCE WITH THE REQUIREMENTS OF THE ENFORCING AUTHORITIES.
IN PUBLIC GARAGES, IN ACCORDANCE WITH THE CAN/CGA-B 149 (.1OR. 2) CODES IN CANADA.
AIRCRAFT HANGARS USE STANDARD ANSI/NFPA 409 IN THE USA
PARKING STRUCTURES USE STANDARD ANSI/NFPA 88A IN THE USA
REPAIR GARAGES USE STANDARD ANSI/NFPA 88B IN THE USA
FOR USE WITH TYPE L VENT
FOR INDOOR INSTALLATION ONLY
THIS UNIT IS FOR USE WITH NATURAL GAS AND PROPANE.
A CONVERSION KIT AS SUPPLIED BY THE MANUFACTURER SHALL BE USED TO CONVERT THIS HEATER TO THE ALTERNATE FUEL.

REZNOR
MERCER, PA. USA 16137

FABRIQUÉ AU MEXIQUE NRTL

APPAREIL DE CHAUFFAGE PAR INFRAROUGE À TUBE RADIANT
POUR USAGE INDUSTRIEL/COMMERCIAL SEUL
CERTIFIED UNDER ANSI Z83.20b- [B] CSA 2.34b- [C] LOW INTENSITY INFRARED HEATER

MODÈLE [A]
#DE SÉRIE [D]

[E] VOLTS [E] PH [E] HZ CONSOMMATION TOTALE MAX. DE [E] AMPS
TYPE DE GAZ: [F]
PRÉVU POUR 0-2000 PIEDS 0-610 MÈTRES D'ALTITUDE
DIMENSION DE L'ORIFICE [G] FORET

ENTRÉE NORMALE [H] BTU/HEURE
PRESSION NORMALE DE LA TUB [I] PO/COLD D'EAU
PRES. D'ALIM. MI. ACCEPTABLE DE GAZ
POUR DES FIN DE RÉGLAGE DE L'ENTRÉE [J] PO/COL D'EAU

DÉGAGEMENT ENTRE LES CONSTRUCTIONS COMBUSTIBLES:

EN HAUT - *12 PO, RACCORD DE TUYAUX - 6 PO, CÔTÉ BRULEUR - [K], CÔTÉ EVACUATION - 24 PO, COUDE D'ÉCHANGEUR (U OR L) - [L]
* 18" PO SI NON VENTILÉ CÔTÉS

RÉFLECTEUR	ANGLE DE MONTAGE MAX. DESSOUS	AVANT/ARRIÈRE
RÉFLECTEUR STANDARD	0 À 30 DEG. [M]	[N]
RÉFLECTEUR STANDARD	31 À 45 DEG. [M]	[O]
RÉFLECTEUR STANDARD AVEC CÔTÉ ÉCRANS (UN CÔTÉ SEULEMENT)	0 À 30 DEG. [M]	[P]

CET APPAREIL PEUT ÊTRE INSTALLÉ SELON DES CONFIGURATION VARIABLES COMME IL EST STIPULÉ DANS LE FORMULAIRE RZ-NA T-VR-CNFG DU FABRICANT.
L'INSTALLATION DE UNITE DANS CES GARAGES D'AVIONS DOIT SE CONFORMER AUX CONDITIONS DES AUTORITÉS CHARGÉES DE FAIRE APPLIQUER LA LOI. L'INSTALLATION DANS DES GARAGES PUBLICS DOIT SE CONFORMER AU CODE CAN/CGA-B 149 (.1OU.2).
S'UTILISE AVEC UN ÉVENT DE TYPE L.
INSTALLATION À L'INTÉRIEUR SEULEMENT.
CET APPAREIL POUR UTILISATION AVEC LE GAZ NATUREL ET LE PROPANE. UNE TROUSSE DE CONVERSION FOURNIE PAR LE FABRICANT DOIT ÊTRE UTILISÉE POUR PASSER D'UN COMBUSTIBLE À L'AUTRE.

Rating Plate Key:

- A** = Model
- B** = ANSI Certification
- C** = CSA Certification
- D** = Mfg Date (month and year)
- E** = Supply Voltage
- F** = Type of Gas (natural or propane)
- G** = Burner Orifice Drill Size
- H** = Input (BTUH)
- I** = Manifold Pressure (inches w.c.)
- J** = Minimum Gas Supply (inches w.c.)
- K** = Clearances to Combustibles - Burner End
- L** = Clearance to Combustibles - Heat Exchanger Bend
- M** = Clearance to Combustibles - Below
- N** = Clearance to Combustibles - Front/Rear, 0-30° Reflector
- O** = Clearance to Combustibles - Front/Rear, 31-45° Reflector
- P** = Clearance to Combustibles - Front/Rear, 0-30° Reflector with Side Shield

Serial No.

Example:

B	C	K	N	12345
1	2	3	4	5

CODES:

- 1** = Date of manufacture (see chart on page 3)
- 2** = Type of ignition
- 3** = Type of valve
- 4** = Type of gas (N= Natural; L= Propane)
- 5** = Consecutive number (for identification purposes only)

First Element of the Serial Number - Date of Manufacture

Year	Jan	Feb	Mar	Apr	May	June	July	Aug	Sept	Oct	Nov	Dec
1992	ARA	ARB	ARC	ARD	ARE	ARF	ARG	ARH	ARI	ARJ	ARK	ARL
1993	ASA	ASB	ASC	ASD	ASE	ASF	ASG	ASH	ASI	ASJ	ASK	ASL
1994	ATA	ATB	ATC	ATD	ATE	ATF	ATG	ATH	ATI	ATJ	ATK	ATL
1995	AUA	AUB	AUC	AUD	AUE	AUF	AUG	AUH	AUI	AUJ	AUK	AUL
1996	AVA	AVB	AVC	AVD	AVE	AVF	AVG	AVH	AVI	AVJ	AVK	AVL
1997	AWA	AWB	AWC	AWD	AWE	AWF	AWG	AWH	AWI	AWJ	AWK	AWL
1998	AXA	AXB	AXC	AXD	AXE	AXF	AXG	AXH	AXI	AXJ	AXK	AXL
1999	AYA	AYB	AYC	AYD	AYE	AYF	AYG	AYH	AYI	AYJ	AYK	AYL
2000	AZA	AZB	AZC	AZD	AZE	AZF	AZG	AZH	AZI	AZJ	AZK	AZL
2001	BAA	BAB	BAC	BAD	BAE	BAF	BAG	BAH	BAI	BAJ	BAK	BAL
2002	BBA	BBB	BBC	BBD	BBE	BBF	BBG	BBH	BBI	BBJ	BBK	BBL
2003	BCA	BCB	BCC	BCD	BCE	BCF	BCG	BCH	BCI	BCJ	BCK	BCL
2004	BDA	BDB	BDC	BDD	BDE	BDF	BDG	BDH	BDI	BDJ	BDK	BDL
2005	BEA	BEB	BEC	BED	BEE	BEF	BEG	BEH	BEI	BEJ	BEK	BEL
2006	BFA	BFB	BFC	BFD	BFE	BFF	BFG	BFH	BFI	BFJ	BFK	BFL
2007	BGA	BGB	BGC	BGD	BGE	BGF	BGG	BGH	BGI	BGJ	BGK	BGL
2008	BHA	BHB	BHC	BHD	BHE	BHF	BHG	BHH	BHI	BHJ	BHK	BHL
2009	BIA	BIB	BIC	BID	BIE	BIF	BIG	BIH	BII	BIJ	BIK	BIL
2010	BJA	BJB	BJC	BJD	BJE	BJF	BJG	BJH	BJI	BJJ	BJK	BJL
2011	BKA	BKB	BKC	BKD	BKE	BKF	BKG	BKH	BKI	BKJ	BKK	BKL
2012	BLA	BLB	BLC	BLD	BLE	BLF	BLG	BLH	BLI	BLJ	BLK	BLL
2013	BMA	BMB	BMC	BMD	BME	BMF	BMG	BMH	BMI	BMJ	BMK	BML
2014	BNA	BNB	BNC	BND	BNE	BNF	BNG	BNH	BNI	BNJ	BNK	BNL
2015	BOA	BOB	BOC	BOD	BOE	BOF	BOG	BOH	BOI	BOJ	BOK	BOL

Size Conversion Label - Model VR

When servicing a heater with a rating plate reading Model VR75, VR125, or VR175, **always** look for a Size Conversion label.

- Rating Plate reads Model VR75 AND Size Conversion Label reads VR100 - Service heater as a Model VR100.
- Rating Plate reads Model VR125 AND Size Conversion Label reads VR150 - Service heater as a Model VR150.
- Rating Plate reads Model VR175 AND Size Conversion Label reads VR200 - Service heater as a Model VR200.

Example of a Size Conversion Label

IMPORTANT			
This appliance has been converted at the time of installation to a model			
Cet appareil a été converti au moment de l'installation en un modèle _____ (<i>100, 150, or 200</i>) _____			
by _____		with kit no. _____	
per _____ (<i>name of service person or agency</i>) _____		avec la kit n° _____ (<i>Kit P/N</i>) _____	
which accepts the responsibility that this conversion has been properly made.			
ce qui accepte la responsabilité que cette conversion a été correctement faite.			
Orifice Size	Dimension de l'orifice	_____ (<i>New Orifice Size</i>) _____	Drill Foret
Normal input	Entrée Normale	_____ (<i>100,000; 150,000; or 200,000</i>) _____	BTU/HR
Minimum permissible gas supply pressure for purpose of input adjustment			_____ in. w.c.
Pres. D'alim. Min. acceptable de gaz pour des fin de réglage de l'entrée			_____ (*) _____ PO/COL D'eau

* Minimum supply pressure is 5" w.c. for natural gas for Sizes 50-150; 6" w.c. for natural gas for Sizes 175-200; or 10" w.c. for propane gas for all sizes.

REFERENCES:

Website with downloadable files - www.RezSpec.com

Form I-VR, Model VR Installation, Operation, Maintenance, and Service

Form I-VR-GC, Model VR Gas Conversion

Form I-TRPA, Model TRPA Installation, Operation, Maintenance, and Service

Form I-TRP/TRPA-GC, Model TRP and TRPA Gas Conversion

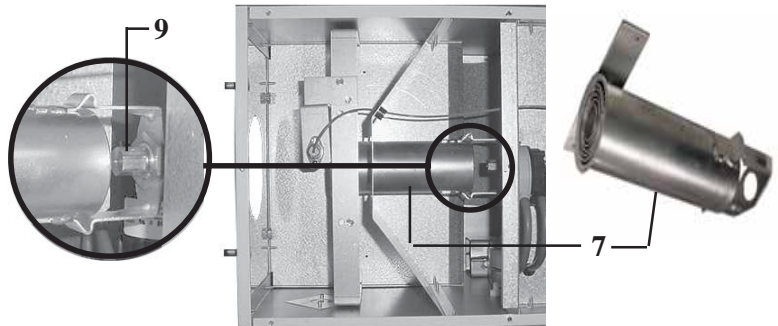
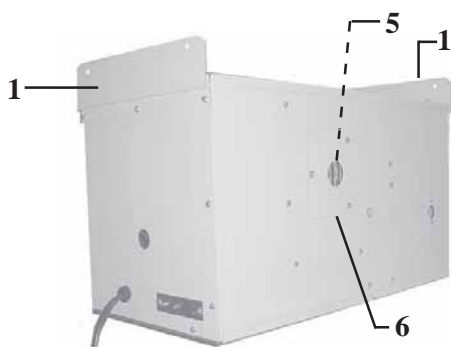
Form I-TRP, Model TRP Installation, Operation, Maintenance, and Service

Form I-RIH, Model RIH/RIHV Installation, Operation, Maintenance, and Service

Replacement Parts - Model VR

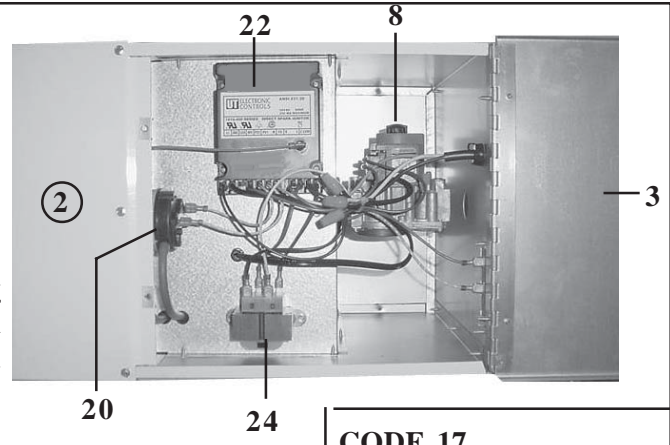
Code	Description	Qty	75		100	125		150	175		200
			50	75/100		125/150	175/200				
1	Burner/Control Box Hanger	2	203954								
2	Burner Box Access Panel with Gaskets	1	205415								
3	Control Compartment Door w/Hinge and Latch	1	205414								
4	Receptacle Portion of the Door Latch (on box)	1	196336								
5	Combustion Air Inlet Screen	1	203974								
6	Combustion Air Restrictor Plate	115/1/60	203967	203968	203969	203970	203971	203972	203973		
		208 or 230/1/60	203967	203968	203969	203970	203971	205539	--		
7	Main Burner Assembly	1	204120						204121		
8	Combination Gas Valve	Natural Gas	147830						204301		
		Propane Gas	147560								
9	Burner Orifice	Natural Gas	120147	131579	205430	205431	120165		205432		
			Marking #29	4.25mm	#11	#2	D		J		
		Propane Gas	124966	196852	196854	196838	120149	205433	205434		
			Marking #45	#39	3.0mm	#30	#27	5/32"	4.3mm		
10	Orifice Adapter	1	165701								
11	Input Conversion Bag (In 75/100; 125/150; 175/200 Boxes ONLY. Converts 75 to 100; 125 to 150; 175 to 200)	Natural Gas	--	205504	--	205506	--	205508	--		
		Propane Gas	--	205505	--	205507	--	205509	--		
12	Gas Conversion Kits	Natural to Propane	205514			205515		205516			
		Propane to Natural	205520			205521		205522			
13	Venter Housing	1	204116			204117		204118			
14	VENTER ASSEMBLY 115V	1	50-100 USE WB-32428			WB-32429		WB-32430			
15	Venter Wheel	115/1/60	195036			120545		132007			
		208 or 230/1/60	195036			120545		135980	--		
16	Venter Motor	115/1/60	148055			165700		208350 (replaces 132058)			
		208 or 230/1/60	148054			148054		161416	--		
17	Venter Motor Capacitor	115/1/60	--			163894, 4MFD		204122, 6 MFD			
		208 or 230/1/60	163894, 4MFD			163894, 4MFD		204122, 6MFD	--		
18	Venter Motor Plate	1	204119			120997		132019			
19	Spirol Spacers	4	97721			97722		--			
20	Pressure Switch	0 - 6000 ft	205442			205443		205444			
		above 6000 ft	205445			205446		205444			
21	High Altitude Kit (Option DJ2C above 6000 ft)		205524			205525		--			
22	DSI Ignition Control, UTC #1016-426	1	204955								
23	DSI Electrode Assembly	1	204611								
24	Transformer	115/1/60	175265, 30 VA								
		208 or 230/1/60	194536, 40 VA								
25	Relay (optional; required with outside air)	1	103319								
26	Supply Power Cord	115/1/60	116046								
		208 or 230/1/60	120689								
27	2-pole 24V Terminal Strip	1	96041								
28	Vinyl Grommet for Gas Pipe	1	102607								

Burner/Control Box (See replacement P/N's top of page 5.)



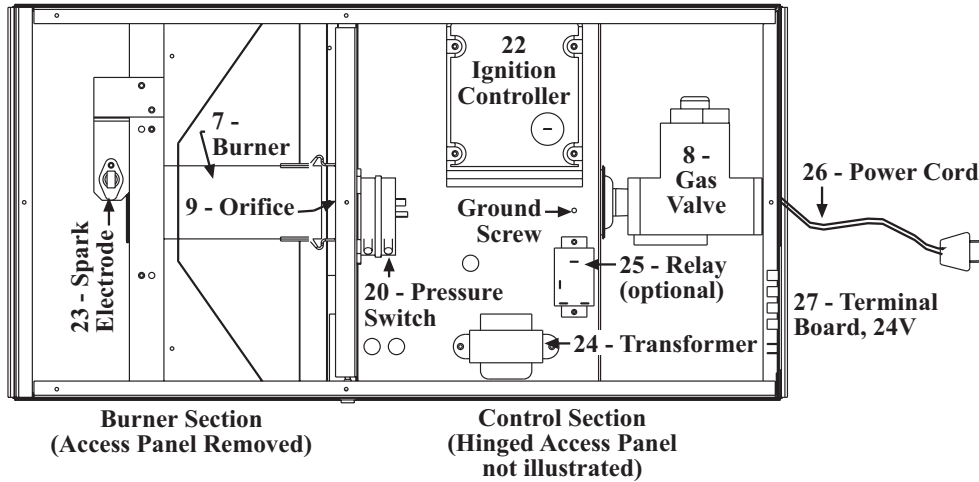
Burner Section - Bottom View with Access Panel Removed

Complete Replacement Burner Box, 115V, Natural Gas				
Model VR Size	50	75/100	125/150	175/200
P/N	220321	220322	220323	220324
Boxes for two sizes include input conversion bag (CODE 11).				



Control Compartment - Bottom View with Door Open and Burner Section Access Panel Closed

Bottom View with Access Panels Removed



CODE 17 - Venter Motor Capacitor



CODE 20 - Pressure Switch



CODE 23 - DSI Ignition Electrode



CODE 24 - Transformer



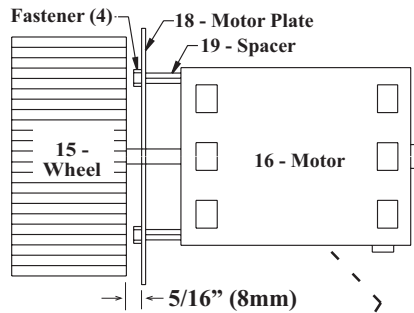
CODE 25 - Relay



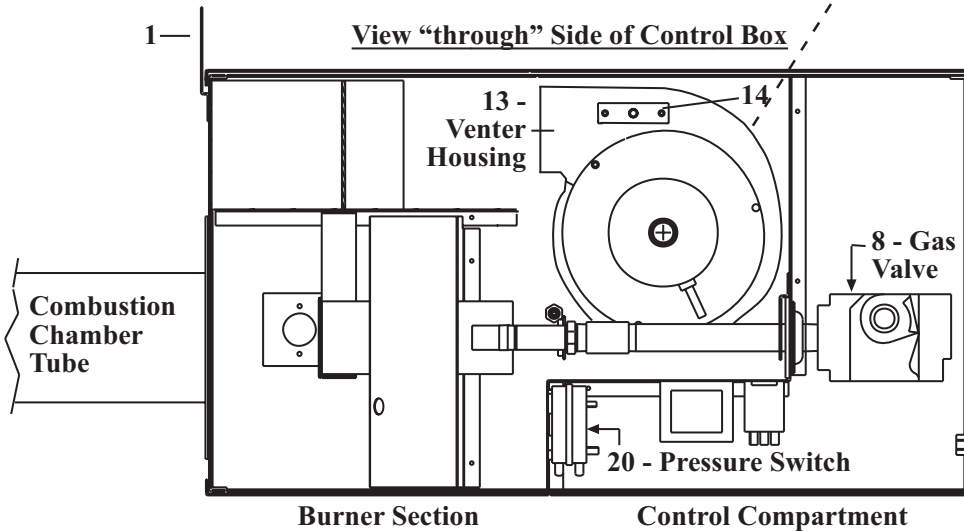
CODE 27 - 24V Terminal Strip



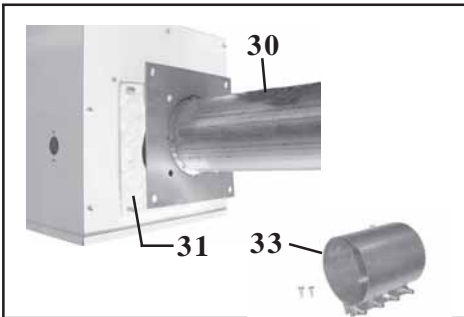
Venter Motor and Wheel Components



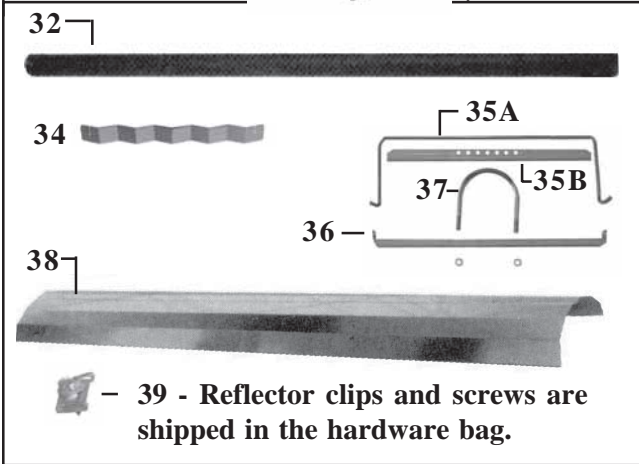
View "through" Side of Control Box



Model VR Tubes, Reflectors, & Options



CODE	Description	All Sizes
30	Combustion Chamber Tube	205545
31	Combustion Chamber Tube Gasket	116029
32	10-ft Heat Exchanger Tube	205541
33	Compression Coupling with all Hardware including Screw (Coupling is used for all tube to tube connections and tube to vent pipe connection.)	205546
34	Turbulator Section	116019
35A	Wire Reflector Retainer	Replaces P/N 205543
35B	Tube and Reflector Hanger Bar	
36	Reflector Bracket	205586
37	"U" Bolt with brass nuts	131785
38	10-ft Reflector	204962
39	Clip-on, spring steel receptacle nut	196336



Tube Packages include tubes, reflectors, and hardware.

(NOTE: Use these packages for replacing TR straight tubes; see page 9.)

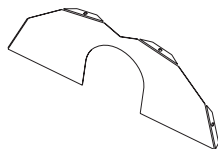
Package ID	VRE	VRF	VRG	VRH
Package P/N	205204	205205	205206	205151
Required for 20 ft length	1	-	-	-
Required for 30 ft length	-	1	-	-
Required for 40 ft length	1	-	1	-
Required for 50 ft length	1	-	-	1
Required for 60 ft length	-	1	-	1
Required for 70 ft length	-	1	2	-

Replacement hardware bag only (included in above tube packages)

Tube Package	Replacement Hardware Pkg	Quantity of Components by CODE					
		33	34	35A&B	36	37	39
VRE	P/N 209401	2	4	3	3	3	2
VRF	P/N 209402	2	3	4	4	4	2
VRG	P/N 209403	2	1	2	2	2	2
VRH	P/N 209404	3	2	3	3	3	2

Plus each hardware package includes (6) #10 x 1/2" sheetmetal screws, P/N 11813, and (4) #10x1/2" long Tekes, P/N 37661

CODE 40 - Reflector End Cover



Option Designation	CD27	
Option Package P/N	205762	
Description	Qty	P/N
Reflector End Cover	2	143356
Screw #10-32 x 1/2" long	8	113275
Nut #10-32 Keps	8	26490

CODE41 - Option UA1, Package P/N 205207, includes:

(NOTE Use this pkg for replacing a Model TR 5' tube. The entire TR tube system must be replaced; see page 9.)

Code	Qty	P/N	Description
5 ft Tube and Reflector			
5 ft Lengths of	1	205208	5ft Heat Exchanger Tube
CODES 32 & 38	1	205209	5ft Reflector
Coupling and Hardware for Tube Connection			
Same as CODE 33	1	205546	Compression Coupling
	2	37661	#10x1/2" Self-drilling Screws (in parts bag below)
Wire Reflector Retainer, Hanger Bar, Tube Bracket, U-Bolt			
Same as CODES 35A, 35B, 36, & 37	1	209321	Wire Reflector Replaces P/N 205543
	1	209322	Hanger Bar
	1	205586	Reflector Bracket
	1	131785	U-Bolt with Brass Nuts (in parts bag below)
"5-ft" Tube Kit Hardware Bag, P/N 205721, includes items below plus the items above that indicate they are shipped in the parts bag:			
Same as CODE 39	2	196336	Clip-on, spring steel Receptacle Nut
	2	11813	#10x1/2" Sheetmetal Screws







CODE 42 - Option UC2, "L" Tube Package

(NOTE: Use this pkg for TR "L" tube replacement; see pg 9.)



CODE42 - Option UC2, Package P/N 205217, includes:

CODE	Qty	P/N	Description
"L" Tube and Reflector Parts			
42A	1	205218	"L" Heat Exchanger Tube
42B	1	144417	"L" Reflector Side
42C	1	205220	"L" Reflector Half Right
42D	1	205221	"L" Reflector Half Left
42E	1	120677	"L" Tube Reflector Bracket (shipped in parts bag below)
Coupling and Hardware for Tube Connection			
Same as CODE 33	1	205546	Compression Coupling
	2	37661	#10x1/2" Self-drilling Screws (shipped in parts bag below)
Wire Reflector Retainer, Hanger Bar, Tube Bracket, and U-Bolt			
Same as CODES 35A, 35B, 36 & 37	1	209321	Wire Reflector Retainer Replaces P/N 205543
	1	209322	Hanger Bar
	1	205586	Reflector Bracket
	1	131785	U-Bolt with Brass Nuts (in parts bag below)
"L" Tube Kit Hardware Bag, P/N 205723, includes items below			
	15	113275	Screws, #10-32 x 1/2" long
	15	26490	Nuts, Kep #10-32
	2	113807	Washers
42F	1	120716	1/2" Stainless Worm-drive Clamp
Same as CODE 39	2	196336	Clip-on, spring steel Receptacle Nut
	2	11813	#10x1/2" Sheetmetal Screws

CODE 43 - Option UB3, "U" Tube Package (NOTE: Use this pkg for TR "U" tube replacement. Entire tube system must be replaced; see page 9.)							
							
	43A		43F		43E		
	43B		43C		43D		
	43C		43D		43E		
	43C&D		43C&D		43C&D		
	CODE43 - Option UB3, Package P/N 205211, includes:						
	CODE43		Qty	P/N	Description		
	"U" Tube and Reflector Parts						
	43A		1	205212	"U" Heat Exchanger Tube		
	43B		1	205214	Reflector Top		
	43C		1	205215	Reflector Right Side		
	43D		1	205216	Reflector Left Side		
	43E		1	120677	"U" Tube Reflector Bracket (shipped in parts bag below)		
	Coupling and Hardware for Tube Connection						
Same as CODE33		1	205546	Compression Coupling			
		2	37661	#10x1/2" Self-drilling Screws (shipped in parts bag below)			
Wire Reflector Retainer, Hanger Bar, Tube Bracket, and U-Bolt							
Same as CODES 35A, 35B, 36, & 37		1	209321	Wire Reflector Retainer		Replaces P/N 205543	
		1	209322	Hanger Bar			
		1	205586	Reflector Bracket			
		1	131785	U-Bolt with Brass Nuts (in parts bag below)			
"U" Tube Kit Hardware Bag, P/N 205722, includes items below plus the items above that indicate they are shipped in the parts bag:							
		14	113275	Screws, #10-32 x 1/2" long			
		14	26490	Nuts, Kep #10-32			
		2	113807	Washers			
43F		1	120716	1/2" Stainless Worm-drive Clamp			
Same as CODE39		2	196336	Clip-on, spring steel Receptacle Nut			
		2	11813	#10x1/2" Sheetmetal Screws			






CODE 44 - Optional Side Shield (option selection based on length and number of side shield sections)

Option	CD19	CD13	CD14	CD15	CD16	CD17	CD18	CD20
Length	5 ft	10 ft	20 ft	30 ft	40 ft	50 ft	60 ft	70 ft
Kit P/N	205738	205732	205733	205734	205735	205736	205737	205739
Components	Qty P/N	Qty P/N	Qty P/N	Qty P/N	Qty P/N	Qty P/N	Qty P/N	Qty P/N
Side Shield	1 205544	2 205544	4 205544	6 205544	8 205544	10 205544	12 205544	14 205544
Wire Reflector Retainer, Hanger Bar, Tube Bracket and U-Bolt								
Same as CODES 35A, 36, & 37	Wire Reflector Retainer	1 209321	2 209321	4 209321	6 209321	8 209321	10 209321	12 209321
	Reflector Bracket	1 205586	2 205586	4 205586	6 205586	8 205586	10 205586	12 205586
	U-Bolt with brass nuts (shipped in parts bag below)	1 131785	2 131785	4 131785	6 131785	8 131785	10 131785	12 131785
Side Shield Hardware Bag								
CODE 44A	Pushnut, TRW #250015	4 125848	4 125848	8 125848	12 125848	16 125848	20 125848	24 125848
Same as CODE39	Clip-on spring steel Receptacle Nut	2 196336	2 196336	4 196336	6 196336	8 196336	10 196336	12 196336
	#10x1/2" lg Sheetmetal Screw	2 11813	2 11813	4 11813	6 11813	8 11813	10 11813	12 11813

CODE 45 - Option CK11, Hanging Chain Kit, P/N 205402, includes:

Qty	Description	P/N
1	50' long chain (200-lb working load)	120703
22	S Hooks (for suspension points*)	116034

* The four "S" hooks for the burner/control box are included in the burner/control box hardware package.

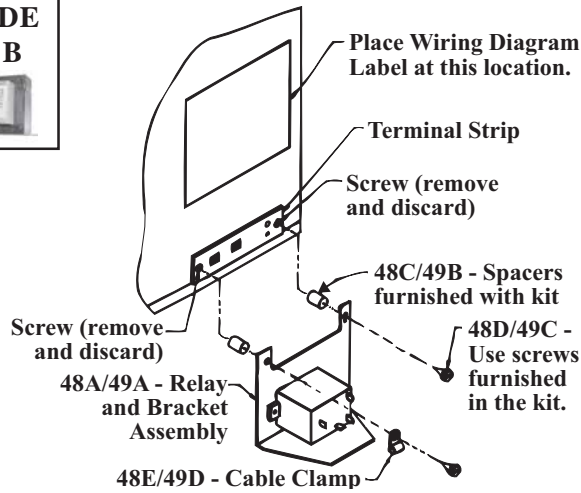
CODE 46 - Option DE2, Outside Combustion Air Inlet, includes:     	CODE46 - Option DE2, Outside Combustion Air Inlet, includes:			
	Kit P/N		204785	204786
	For Model VR Sizes		50, 75, 100, 125, 150	175 and 200
	Code	Components	Qty	P/N
	46A	Combustion Air Inlet Cover	1	204783
	46B	Inlet Air Cap	1	120726
	46C	Flex Pipe, 40" (1016mm) long	1	120729, 4" diameter
	46D	Relay Assembly	1	205540 (Relay P/N 103319 with three 6" wires with terminals)
	Hardware Bag:			
	46E	1/2" Wide Worm Drive Clamp, stainless	2	102716, 3-5/8" to 4-1/2" diameter range
	(Not illustrated)	Drill Fixture	1	204615
		#8-32x1/2" long screw	2	195638 (to attach CODE 46A)
		#6 x 5/8" lg round head phillips Rolox	2	110076 (for attaching CODE 46D)
		Orange Wire Nut	1	16354
		Yellow Wire Nut	1	16355
	Wiring Diagram Label	1	205526	

TR/TR-H Note: Models TR/TR-H require only 46B, P/N 120726; 46C, P/N 120729; and 46E, P/N 102716.

Optional Accessories for Model VR and Models TR/TR-H

CODES 48 and 49 - Multiple Heater Control Pkgs
(Same as Options CL31 and CL32 for Model VR)

CODE 48B



Option CL31 for Model VR - Package P/N 205685

CODE	Qty	P/N	Description				
48A	2	102243	Relay Assys each consisting of one P/N 98118, RBM Relay (WR #134-20102-101), wired and mounted on a specially designed bracket.				
CODE	Qty	P/N	Description	CODE	Qty	P/N	Description
48B	1	194808	Transformer 40VA	48D	4	121033	Screws #8 x 1" lg
	1	16354	Orange Wire Nut	48E	2	16228	Cable Clamp 3/16"
48C	4	98872	Spacers		2	197164	Wiring Diagram Label

Option CL32 for Model VR - Package P/N 205686

CODE	Qty	P/N	Description				
49A	1	102243	Relay Assy consisting of one P/N 98118, RBM Relay (WR #134-20102-101), wired and mounted on a specially designed bracket.				
CODE	Qty	P/N	Description	CODE	Qty	P/N	Description
49B	2	98872	Spacers	49D	1	16228	Cable Clamp 3/16"
49C	2	121033	Screws #8 x 1" lg		1	197164	Wiring Diagram Label

Option CL31 for Models TR/TR-H - Package P/N 102248

CODE	Qty	P/N	Description				
48A	2	102243	Relay Assys each consisting of one P/N 98118, RBM Relay (WR #134-20102-101), wired and mounted on a specially designed bracket.				
CODE	Qty	P/N	Description	CODE	Qty	P/N	Description
48B	1	102708	Transformer 35VA	48D	4	121033	Screws #8 x 1" lg
	2	103152	1-3/4" lg Screws	48E	2	16228	Cable Clamp 3/16"
48C	4	98872	Spacers		2	131127	Wiring Diagram Label

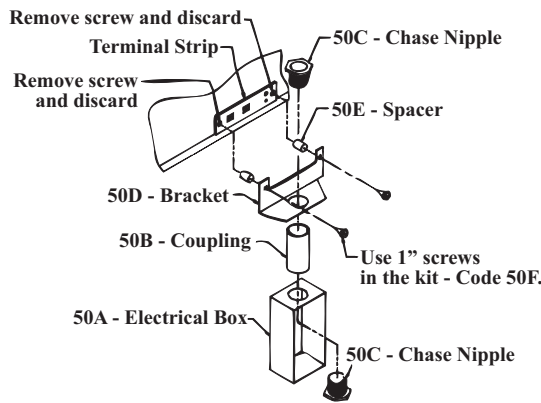
Option CL32 for Models TR/TR-H - Package P/N 102249

CODE	Qty	P/N	Description				
49A	1	102243	Relay Assy consisting of one P/N 98118, RBM Relay (WR #134-20102-101), wired and mounted on a specially designed bracket.				
CODE	Qty	P/N	Description	CODE	Qty	P/N	Description
49B	2	98872	Spacers	49D	1	16228	Cable Clamp 3/16"
49C	2	121033	Screws #8 x 1" lg		1	131127	Wiring Diagram Label

CODE 50 - Thermostat Bracket Package
(Same as Option CM3)

Thermostat Bracket Kit for Model VR, TR, and TR-H, P/N 98524 (Same as Option CM3) includes:

CODE	Qty	Description	P/N
50A	1	2 x 4 Electrical Box	17782
50B	1	1/2" Coupling conduit connector	7447
50C	2	1/2" Chase Nipples	3618
50D	1	Bracket	98353
50E	2	Spacers, 1/4" x 7/16" long	98872
50F	2	Screws, #8 x 1" long, Type B	121033



Optional Accessories - Apply to Models VR, TRPA, TRP, and TR/TR-H

CODE 51 - Dual Vent Kit
(Same as Option CC5)

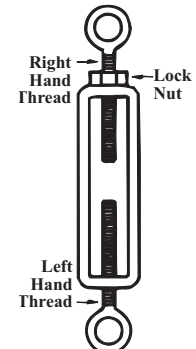


CODE 51 - Option CC5, Package P/N 120736, includes:

CODE	Qty	P/N	Description
51A	1	120290	Dual Vent Adapter Box
51B	1	110051	4" Vent Cap
51C	1	120869	6" Vent Cap
51D	1	53335	High Temperature Silicone
51E	2	120108	Support Angles

CODE 52 - Turnbuckle and Turnbuckle Lock Nut - Each option package includes equal quantities of P/N 120704, Eye-to-Eye Turnbuckle of forged carbon steel, and P/N 6554, 5/16-18 Nut (Kep).

Straight Length	Straight			With one "L" or "U"		
	Opt	VR	TR/TR-H	Opt	VR	TR/TR-H
20 ft	CK12	121046	120699	CK13	120701	121045
30 ft	CK13	120701	121045	CK14	121047	120700
40 ft	CK14	121047	120700	CK15	132517	121046
50 ft	CK15	132517	121046	CK16	205583	120701
60 ft	CK16	205583	120701	CK17	205584	121047
70 ft	CK17	205584	121047	CK18	205585	132517
TRPA 30 & 60); TRP 30 & 60	CK12	120699				
TRP 50 & 100	CK14	120700				



CODE 53 - Flexible Gas Connector, Option CE3 and CE4

1/2", P/N 120715
3/4", P/N 120874



CODE 54 - 4" Vent Cap (Same as Option CC1) P/N 120738



**CODE 55 -
1-Stage
Thermostat,
W/R #1C30-341
(Same as Option
CL1), P/N 91919**



24 Volt
40-80°F Range
Snap Action Contacts
30 V.A.C. Maximum
.15 to 1.0 Amps
Adjustable Anticipator

Vertical
Mounting with
Wall Mount-
ing Plate
Dial "off"
Switch

**CODE 56 -
Thermostat Cover,
W/R 29-0143 (Same
as Option CM1),
P/N 91926**



Clear
Plastic
Locking
Cover

Replacement Parts - Models TR/TR-H (discontinued in 2003)

Model TR/TR-H designed tubes and burner boxes are no longer available. A Model VR tube system and reflector is compatible with a Model TR/TR-H burner box. And a Model VR burner box is compatible with a Model TR/TR-H tube system.

- Order a replacement tube system from VR tube packages on pages 6-7. **NOTE: Tubes and connection hardware are not interchangeable. The full length (all straight, "L", and "U" sections with reflectors) of the system must be replaced.**
- If replacing a complete burner box, select from the chart below. Boxes for multiple sizes include an input conversion kit. Replacement 115V burner box is for natural gas. If a propane unit is needed, order Natural to Propane Kit, CODE 12, page 4.

Size	50	75/100	125/150	175/200
Burner Box P/N	220321	220322	220323	220324

Some individual replacement components are listed here (supply may be limited on some items).
If any other item is needed, contact your distributor or Reznor Representative for replacement P/N and availability.

Code	Description (Applies to all Sizes unless Size is specified.)	P/N
60	SPST Switch (Door Interlock Switch), MCG0815-9011	116023
61	Time Delay Relay, 24V, T.I. #60704A0-41	116044
62	Ignition Controller - Model G67BG-5	97782
	Ignition Controller w/lockout - Model G770NGC-4	97547
63	Ignition Conversion Kit (from spark pilot to DSI ignition), Natural Gas and Propane	216970
64	Pressure Switch Replacement Kit - All @ 0-2000 ft elevation; 50-150 @ 2001-6000 ft; 75-150 @ 6001-8000 ft	196653
	Pressure Switch Replacement Kit - 175, 200 @ 2001-6000 ft; 50, 175 @ 6001-8000 ft	196654
65	Indicator Light, Jemco #XL-9036-5JL, 24V	116045
66	Terminal Strip, 2 Pole - Doran Mfg. Co	96041
67	Power Cord 4'6", 115 volt, #068-32-41552	116046
	Power Cord 4'6", 208/230 volt, NEMA 6-15P - Sizes 50-150	120689
68	Transformer, 115V, 20 VA, Basler #BE141620-RAD	132204
	Transformer, 208/230V, 40VA, Basler #BE21537004	103500
	Transformer, 115V, 35VA, Basler #BE141640-RAK	102708
69	Gas Valve - Natural, 1/2", VR8104-M2505 - Sizes 50-100	170609
	Gas Valve - Natural, 1/2", VR8204-M1000 - Sizes 125-150	96307
	Gas Valve - Propane, 1/2", VR8204-M1018 - Sizes 50-100	96310
	Gas Valve - Natural, 1/2", VR8304-M2824 - Sizes 175-200	136193
70	1/2" Manual Gas Valve	196910
	3/4" Manual Gas Valve	196911

**Code 60 - Safety
Door Interlock
Switch,
P/N 116023**



**Code 61 -
Time Delay
Relay,
P/N 116044**



**Code 62 - Ignition
Controllers (Spark Pilot)**



**G67BG-5,
Ignition
Controller
(recycling),
P/N 97782**

**G770NGC-4, Ignition
Controller with
lockout, P/N 97547**



(Required
for
propane)

**Code 64 - Pressure
Switch**



**Code 68 -
Transformer**

**Code 69
- Gas
Valve**



**CODE 71 - Venter
Motor and Wheel
Assembly**



**Wheel Motor
Capacitor**

Description	Model	50, 75, 100	125, 150	175, 200
Combustion Air/Venter Motor & Wheel Assy	TR	116002	116003	132009
	TR-H	116002	121052	132009
Components:				
Motor - 115Volt	TR/TR-H	97738	97741	132058
Motor - 208/230 Volt	TR/TR-H	98157		
Venter Wheel	TR	97724	132007	
	TR-H	97724	120545	132007
Motor Plate	TR	97301	132019	
	TR-H	97301	120997	132019
Motor Capacitor	TR/TR-H	--	163894	197317
Capacitor Boot	TR/TR-H	--	103182	
Spacers - #8 Spirol	TR/TR-H	(4) 97721	(4) 97722	

CODE 72 - Replacement Pilot

Size	Elevation	Component Description	Gas	P/N
50	0-6000 ft	Complete Replacement Pilot Assembly, natural or propane, 0-6000 ft	Natural & Propane	126060
75-200				110853
Pilot Components:				
50	0-6000	Pilot Assy with orifice, pilot tubing, flame rod, less flame sensor lead and fitting	Natural	126060
75-200	0-6000	Pilot Assy with orifice, pilot tubing, flame rod, less flame sensor lead and fitting	Natural	97534
50-150	0-6000		Propane	
50-150	6001-8000		Propane	
50-175	6001-8000	Pilot Assy with orifice, pilot tubing, flame rod, less flame sensor lead and fitting	Natural	126060
50	0-6000	Orifice only, Johnson #9733-4710 (black)	N&P	98695
75-200	0-6000	Orifice only, Johnson #9731-7715 (brass)	Natural	103034
75-150	0-6000		Propane	
50-150	6001-8000	Orifice only, Johnson #7721D (red)	Propane	134507
50-175	6001-8000		Natural	
All	0-8000	Pilot Tubing, 1/8" O.D. x 18" lg	Natural	98698
		Compression fitting, FTG75 (2 required)	and	97572
		Flame Rod, Johnson #Y57AA-3	Propane	98697
		Flame Sensor Lead, 21"		97575

IF THE IGNITION BOX LOOKS LIKE THOSE BELOW, YOU DON'T NEED THE KIT, JUST THE CONTROL

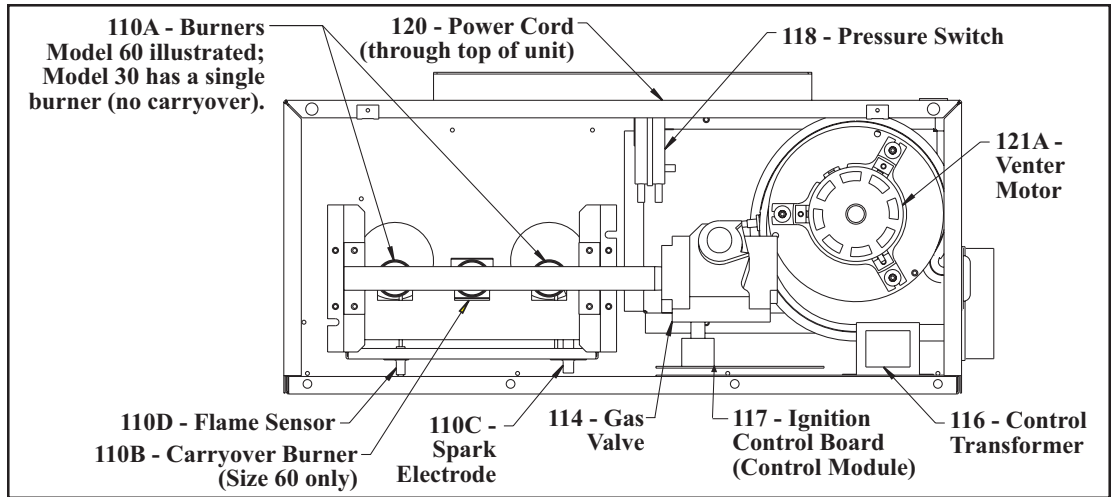
NATURAL GAS P/N WB-31167



PROPANE GAS P/N WB-31168

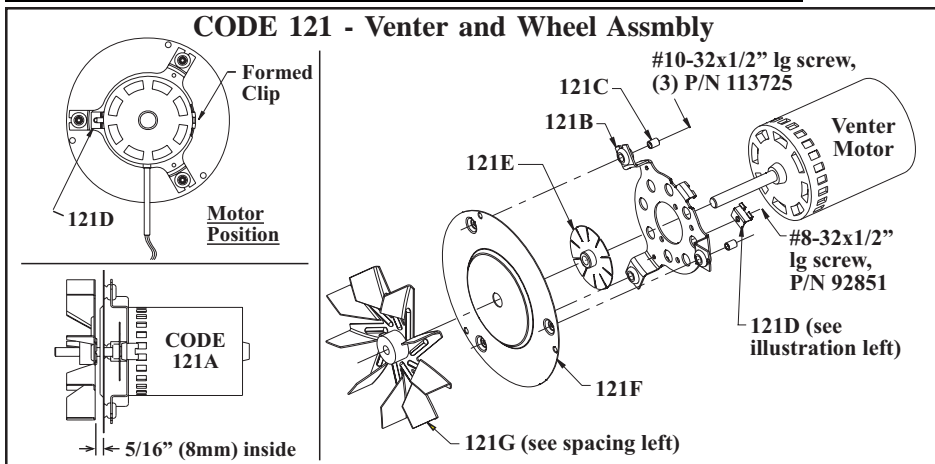
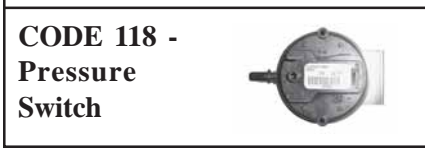
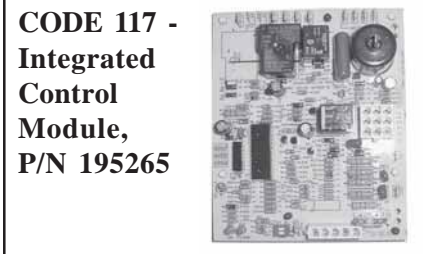
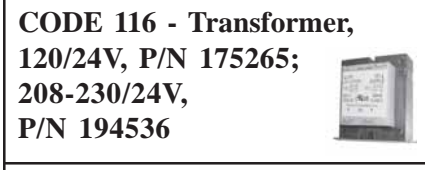
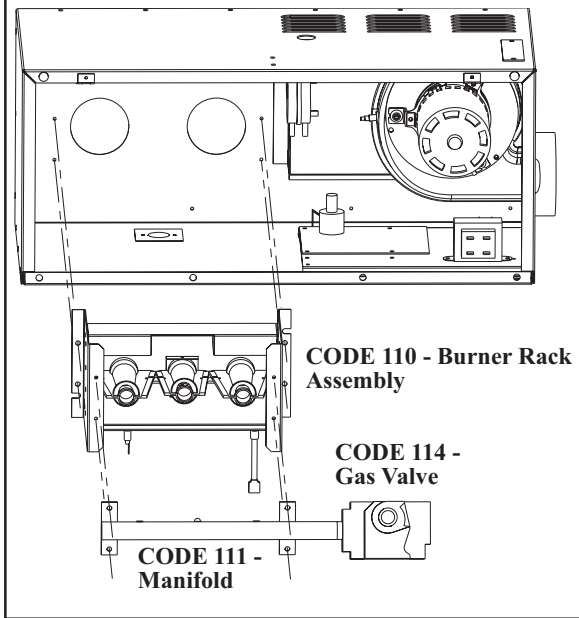


Burner and Controls - Model TRPA

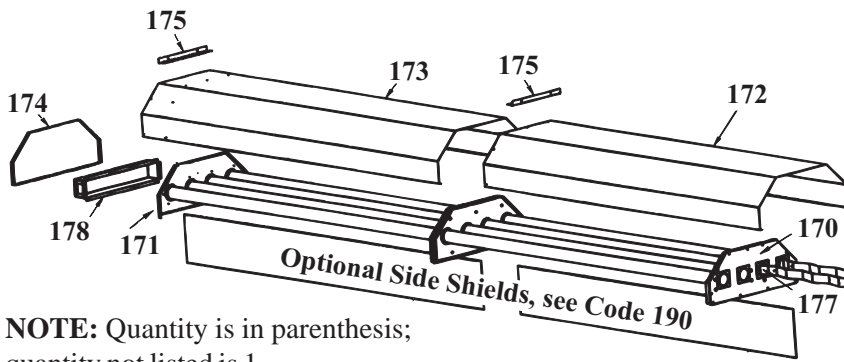


NOTE: Quantity is in parenthesis; quantity not listed is 1.

CODE	Description	30	60	
110	Burner Rack Assy (includes 90 A, B, C, D)	Natural Gas	216593	216594
		Propane	216595	216596
110A	Burner, Beckett #10920X	173618	(2) 173618	
110B	Carryover Burner Assy	--	173639	
110C	Spark Electrode Assy with 24" lead		175272	
110D	Flame Sensor		195292	
111	Manifold	173613	173614	
112	Burner Orifice	#37, Natural Gas	11835	(2) 11835
		1.60MM, Propane	97361	(2) 97361
113	Orifice for Carryover Burner	JC #7715, Natural Gas	--	93973
		JC #9733, Propane	--	98695 (black)
114	Gas Valve, Honeywell, 1/2" x 1/2", 3.5" w.c., 24V, natural gas		147830	
		Gas Valve, Honeywell, 1/2" x 1/2", 24V, propane	147560	
115	Gas Conversion Kit	Natural Gas to Propane	175610	175612
		Propane to Natural Gas	175617	
116	Transformer, 30VA	AK1, 120V/24	175265	
		AK2&AK3, 208-230/24	194536	
117	Integrated Control Module	195265		
118	Pressure Switch	217085	217086	
119	Silicone Sensor Tubing 3/16" x 11"	133117		
120	Power Supply Cord, 3.5 ft, Indoor	AK1, 115V	116046	
		AK2, AK3, 208 or 230	120689	
121	Venter Motor and Wheel Assy	AK1, 115V	220319	
		AK2, AK3, 208 or 230	220320	
121A	Venter Motor	AK1, 115V	217214	
		AK2, AK3, 208 or 230	217215	
121B	Motor Mounting Bracket Assy	196006		
121C	Isolator Bushing	(3) 194803		
121D	Venter Motor Clip	194805		
121E	Fan Blade	195733		
121F	Motor Mounting Plate	194806		
121G	Venter Wheel	195036		



Replacement Parts - Model TRP (discontinued in 2005)



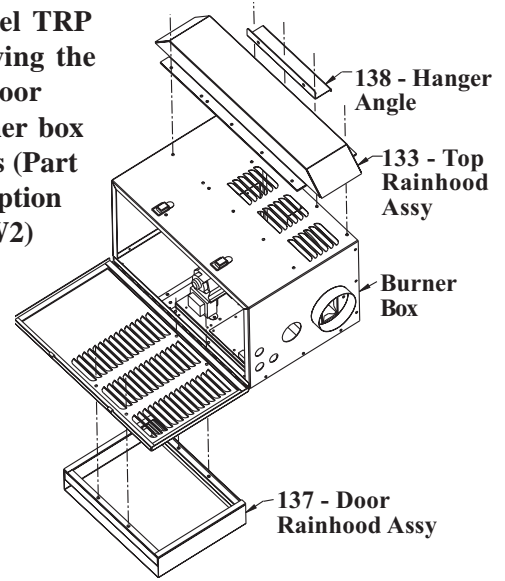
CODE 132A
- Draw/Pull
Door Latch,
P/N 120735



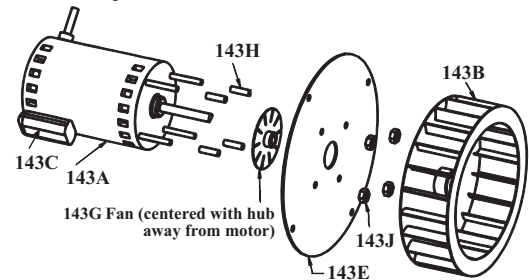
NOTE: Quantity is in parenthesis;
quantity not listed is 1.

CODE	Description	30	50	60	100
130	Complete Burner Box Assy - standard unit (natural gas, power vent, indoor)	173868	173869	173870	173871
131	Burner Box Panel Assy w/viewport	173847		173849	
132	Burner Box Top/Sides	173872	173874	173873	173875
	Burner Box Top/Sides, Opt AV5 (includes collar)	174252	174253	174254	174255
	Burner Box Top & Sides, Outdoor unit Opt AYW2	175851	175852	175853	175854
132A	Draw/Pull Door Latch	(2)120735			
133	Top Rainhood w/Gasket, Outdoor unit Opt AYW2	175859		175860	
134	Self-adhesive tube gasket, 1/8"	(2)173705		(4)173705	
135	Burner Box Door Assembly	173636		173638	
136	Neoprene Gaskets for Door Opening, 3/16"	--	--	(2)173689, 12"x24"	
		(2)173690, 12"x18"		--	--
		(2)173691, 12" x 9"			
137	Door Rainhood w/Gasket, Outdoor unit Opt AYW2	175430			
138	Burner Box Hanger	173856	173858		
139	Flue Collar, 4"	147220			173891
140	Flue Collar Gasket	174265			174264
141	Flue Wrapper Assy	173641	173666	173665	173664
141A	Top/Btm Flue Wrapper Gasket	(2)173669		(2)173668	
141B	Side Flue Wrapper Gasket	(2)173667		(2)173876	
142	Venter Housing Assy w/gasket	173713	173851	173854	173855
142A	Static Pressure Tap	116043			
143	Venter Motor and Wheel Assy	174017			121052
144	Manifold Seal Plate, Opt AV5	173672			
145	Manifold Cover w/Gasket, Opt AV5	174025	174026	174025	174026
146	Cabinet Wall, Opt AV5	173670	173671	173670	173671
147	Reznor Label	196690			

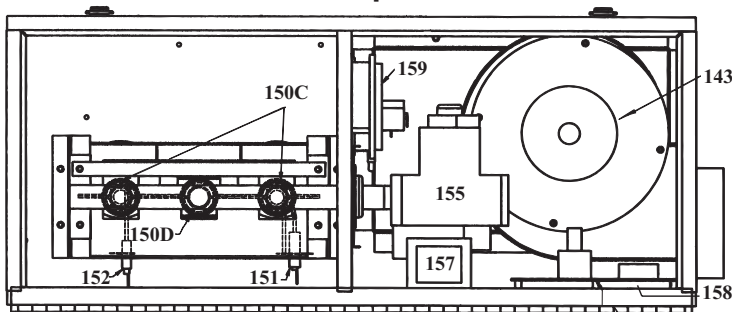
Model TRP showing the outdoor burner box parts (Part of Option AYW2)



CODE 143 - Venter Motor and Wheel Assembly



Model TRP Control Compartment



NOTE: The burner box illustrated is for a Model TRP 60 or 100 having dual burners with a center carryover. Models TRP 30 and 50 have a single burner.

CODE	Description	30	50	60	100
143	Venter Mtr & Wheel Assy	(1)174017	(1)174017	(1)121052	(1)121052
143A	Venter Motor	(1)148055	(1)148055	(1)148053	(1)148053
143B	Venter Wheel	(1)135979	(1)135979	(1)120545	(1)120545
143C	Venter Motor Capacitor	--	--	--	(1)163894
143D	Capacitor Boot	--	--	--	(1)103182
143E	Motor Mounting Plate	(1)174275	(1)174275	(1)120997	(1)120997
143F	Mtr Mntng Plate Gasket	(1)155651	(1)155651	--	--
143G	Fan Blade	(1)68005			
143H	Spacers, #8	(4)97721		(4)97722	
		3/4" long		15/16" lg	
143J	Kep Nut #8-32	(4)31522	(4)31522	(5)31522	(5)31522

CODE	Description	30	50	60	100
150	Burner Rack Assy	175290	175291	175292	175293
150A	Burner Rack Mounting Bracket	(2)174046	(2)174045	(2)174046	(2)174045
150B	Burner Support	174047		174048	
150C	Burner, Beckett #10920X	173618		(2)173618	
150D	Carryover Burner Assy	--	--	173639	
150E	Ignitor/Sensor Bracket	173845		174050	
151	Spark Electrode Assy w/ 24" lead			173878	
152	Flame Sensor			147165	
153	Manifold	173613		173614	
154	Burner Orifice	See table on the right.			
155	Gas Valve, 1/2"x1/2", 24V, natural gas	172552, VR8105M2187			147830, VR8205M1130
	Gas Valve, 1/2"x1/2", 24V, propane	172553, VR8105RM2825			147560, VR8205M1148
156	Carry over Burner Orifice, nat gas	--	--	93973, J/C #7715	
	Carry over Burner Orifice, propane	--	--	98695, J/C #9733	
157	Gas Conversion Kit, Natural to Propane, with std power vent	175610	175611	176212	176513
	Gas Conversion Kit, Natural to Propane, with separated combustion Option AV5	175610	175611	175612	175624
	Gas Conversion Kit, Propane to Natural, with std power vent	175617	175618	175617	175618
158	Transformer, 30VA, 120V/24V	147356			
159	Integrated Control Module	174260			
160	Pressure Switch, 0-4000 ft elev	207172		207173	
	Pressure Switch, > 4000 ft elev	207174		207175	
161	Sensor Tubing, all units	123727, 3/16", 13" long			
	Sensor Tubing, Opt AV5	113774, 3/16", 4" long			
		123728, 3/16", 5-1/4" long			
162	Power Supply Cord	116046, 3.5 ft, Indoor			
		173692, 3.5 ft, Outdoor			

CODE 154 - Burner Orifices

Model TRP		30	50	60	100	
BURNER ORIFICES		Qty	1	1	2	2
Natural Gas	P/N	11835	173846	11835	173846	
	Size	#37	3.4 mm	#37	3.4 mm	
Propane	P/N	97631	16590	97631	16590	
	Size	1.6mm	#46	1.6mm	#46	

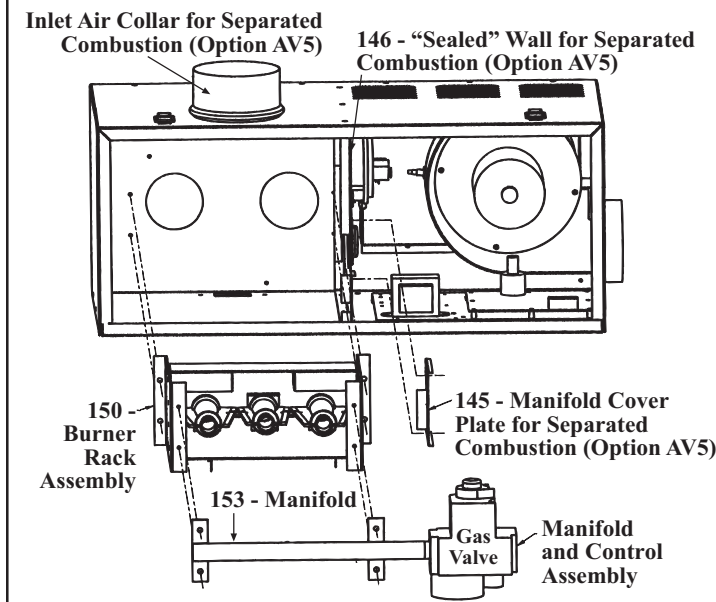
High Altitude NOTE:

Check the rating plate to determine if the unit was built to operate above 2000 ft. If the rating plate indicates an AB option with an elevation range over 2000, the unit is equipped with high altitude burner orifice(s).

If a unit is being re-installed at an elevation range other than the one listed on the rating plate (0-2000 or high altitude), contact your distributor or factory service department to determine the required parts and procedure for changing elevation range.

Above 4000 ft, a high altitude pressure switch is required; see CODE 160.

Model TRP showing burner box with separated combustion Option AV5



CODE 151 - Spark Electrode Assy with 24" Lead, P/N 173878



CODE 152 - Flame Sensor, P/N 147165



CODE 155 - Gas Valve



CODE 158 - Transformer, 120V/24V, 30VA, P/N 147356



CODE 159 - Integrated Control Module, P/N 174260



CODE 160 - Pressure Switch



For TRP 30, 0 to 4000 ft elevation, P/N 207172, Honeywell IS2 0231-5268, 0.25" w.c., Yellow Label

For TRP 50, 60, 100, 0 to 4000 ft elevation, P/N 207173, Honeywell IS2 0231-5269, 0.35" w.c., White Label

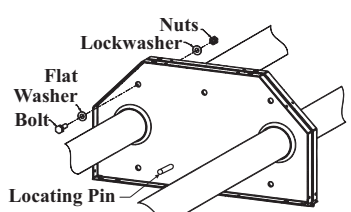
For TRP 30, over 4000 ft elevation, P/N 207174, Honeywell IS2 0231-5270, 0.20" w.c., Green Label

For TRP 50, 60, 100, over 4000 ft elevation, P/N 207175, Honeywell IS2 0231-5271, 0.30" w.c., Red Label

Replacement Parts - Model TRP (cont'd)

CODE	Description	30	50	60	100	
170	Heat Exchanger Section Assy (includes turning box; for replacement turning box only, see CODE 180) - 1st Section (next to burner box)	(1)173866	(1)173867	(1)173861	(1)173678	
171	Heat Exchanger Section Assy (includes turning box; for replacement turning box only, see CODE 180) - 2nd Section (next to turning end)	--	(1)174019	--	(1)173896	
172	Reflector for CODE 160	(1)173686	(1)173687	(1)173699	(1)173700	
173	Reflector for CODE 161	--	(1)173686	--	(1)173699	
174	Reflector End Cap	(1)173701	(1)173701	(1)173702	(1)173702	
175	Mid Hangers	(1)173857	(2)173857	(1)173859	(2)173859	
176	Turbulator Type 1	(1)173881	(2)173881			
177	Turbulator Type 2	(1)173882	(2)173882			
178	Replacement Turning Box Assy	(1)173649	(1)173650			
179	Top/Btm Turning Box Gskt (not illustrated)	(2)173853	(2)173659			
180	Side Turning Box Gskt (not illustrated)	(2)173658				
181	Hinge (connects the center plates of the two heat exchanger sections on Sizes 50 and 100 manufactured prior to 11/03.)	--	(1)173615 18" long	--	(1)173616 24" long	
182	Hardware for Attaching Center Plates on Sizes 50 and 100: (NOTE: Prior to 11/03, these sections were hinged. Beginning 11/03, they are two separate pieces with a locating pin for joining.)	Self-adhesive Tube Gasket, 1/8" thick	--	(2)173705	--	(4)173705
		1/4" Kep Nut	--	(6)7328	--	(6)7328
		1/4" x 3/4" long Hex Head Bolt	--	(6)16246	--	(6)16246
		1/4" Flat Washer	--	(6)1320	--	(6)1320
		1/4" Lockwasher	--	(6)1319	--	(6)1319
183	1/0 Double Loop Chain (Sizes 30&60 - 25 ft chain; 50&100 - 50 ft chain)	(1)173693	(1)120703	(1)173693	(1)120703	
184	"S" Hooks 1/4"	(8)116034	(12)116034	(8)116034	(12)116034	

See exploded view, top of page 12.



Other Options and Accessories - Model TRP

NOTE: See page 8 for more TRP options/accessories.

CODE 190 - Side Shield Kits for Model TRP

Option	CD30	CD31		
Model TRP	30 & 60	50 & 100		
Option Pkg P/N	175288	175289		
Components:	Qty	P/N	Qty	P/N
Side Shield	2	173888	2	173888
			2	173892
U-Type Nut	4	1849	8	1849
1/4" Flat Washer	4	1320	8	1320
Sheetmetal Screw #10 x 1/2"	4	11813	8	11813

CODE 191, Vertical Vent Terminal/Combustion Air Pkg for Model TRP with Option AV5 Separated Combustion, Kit P/N 205895 (same as Option CC2)

CODE 191 - Complete Vertical Vent Kit, P/N 205895

Components:

CODE	Qty	Description	P/N
191A	1	Concentric Box Assembly	205884
191B	1	Exhaust Terminal Assembly	155631
191C	1	Combustion Air Inlet Assembly	155635
	2	Brackets for attaching Concentric Adapter Box	207232
	1	Tube of High Temperature Silicone Rubber Sealant	53335

CODE 192, Horizontal Vent Terminal/Combustion Air Pkg for Model TRP with Option AV5 Separated Combustion, Kit P/N 205882 (same as Option CC6)

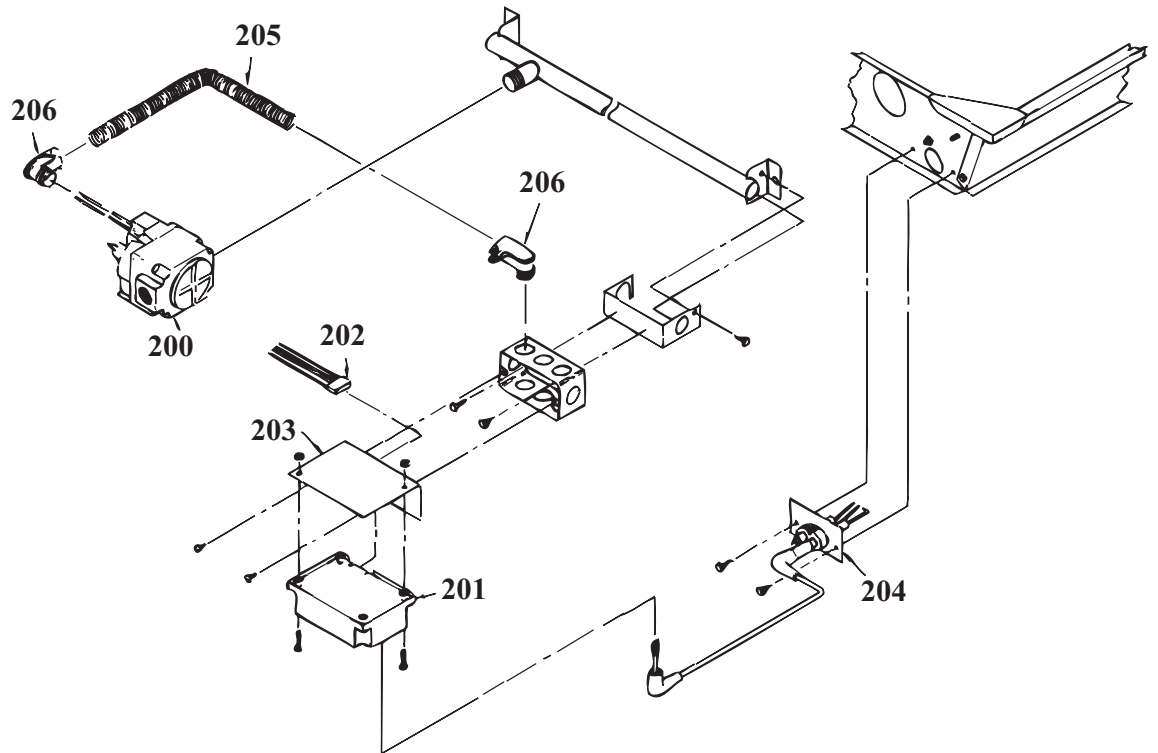
CODE 192 - Complete Horizontal Vent Kit, P/N 205882

Components:

CODE	Qty	Description	P/N
192A	1	Concentric Box Assembly	205884
192B	1	Screened Exhaust Assembly	155096
192C	1	Inlet Guard	205893
	4	#10-16x1/2" lg Screws (to attach the inlet guard)	37661
	2	Brackets for attaching Concentric Adapter Box	207232
	1	Tube of High Temperature Silicone Rubber Sealant	53335

Replacement Parts - High-Intensity Infrared Models RIH/RIHV

**Controls -
All RIH/
RIHV High-
Intensity
Infrared
Models**



CODE	P/N	Description
200	112044	Main Valve (115V) - 1/2" NPT, 002-42-01536C01A284 (natural and propane)
201	96010	Ignition Detection Control Replacement Kit, #0001-22-046
202	96011	Wire Harness, #132084, Pkg R10
203	112045	Ignition Detection Control Mounting Bracket, #000K-1-016
204	112046	Ignitor, #0002-42-110
205		Conduit, 3/8" Greenfield with Anti-Short Bushings
	112047	for RIHN30, RIHN60, RIHL50 , #3802-95-300-01
	112048	for RIHVN 100, RIHVL90 , #3802-95-300-02
	112049	for RIHVN 150, RIHVL 120 , #3802-95-300-03
	112050	for RIHVN 160, RIHVN 200 , #3802-95-300-04
206	112051	Angle Connector for 3/8" Greenfield, #3802-95-302
207	96016	Air Flow Switch, #132081-2N, Pkg R15

Miscellaneous Replacement Parts and Accessories - Models RIH/RIHV

Description	Same as	P/N
Chain - 50', 200 lb with 14 "S" Hooks	Option UE-1	95995
Chain Hanging Kit - see illustration and instructions on the right	Option UE-2	110253
Stainless Flex Gas Connector, 24", 7/8" O.D. with 1/2 gas cock with pressure tap	Option UF-2	96000
Single-Stage Thermostat - see illustration below	Option CL34	110252



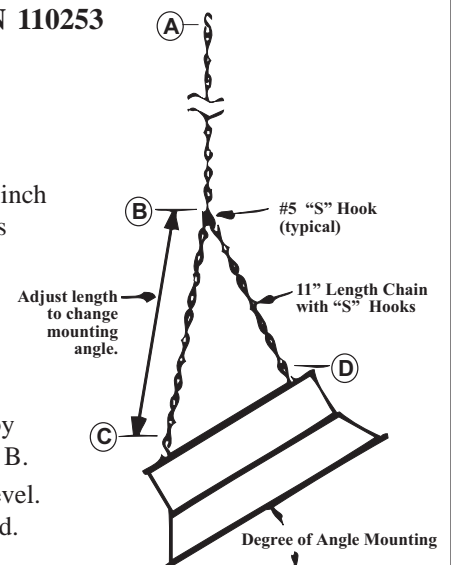
Single-Stage Thermostat, P/N 110252

115/24 Volt
50-90°F Range
Snap Action Switch
Vertical Mounting
Mfr #132026-1

Chain Hanging Kit, P/N 110253

Instructions:

- 1) Hang full length chain at desired height and attach heater (C) with S-hooks.
- 2) Attach one end of the 11-inch length chain with S-hooks to front of heater (D).
- 3) Place other end of chain with S-hook in hook (B) on the full length chain.
- 4) Change degree of angle by moving "S" hook at point B.
- 5) Check to be sure unit is level. Crimp all "S" hooks closed.



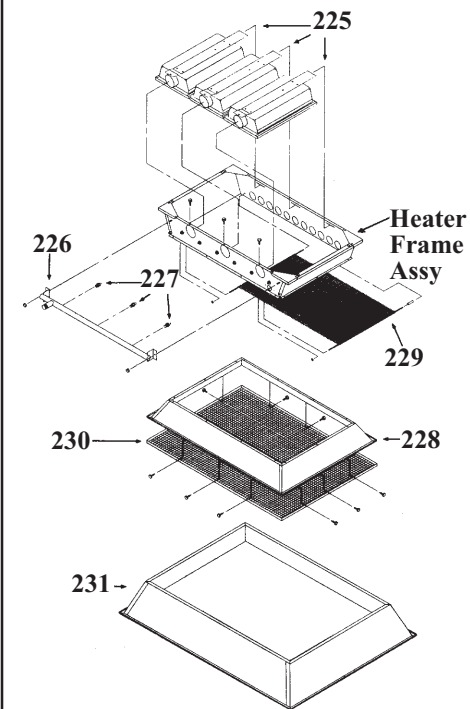
High-Intensity Infrared (cont'd)

Component Description	RIHN 30, RIHN 60, RIHL 50			RIHVN 100, RIHVL 90			RIHVN 150, RIHVL 120			RIHVN 160, RIHVN200		
	CODE	P/N	Qty	CODE	P/N	Qty	CODE	P/N	Qty	CODE	P/N	Qty
Burner Assy (Combustion Chamber with Tile)	209	112052	1	217	112052	2	225	112052	3	232	112052	4
Gas Manifold	210	112053	1	218	112054	1	226	112055	1	233	112056	1
Main Gas Orifice - See table below	211			219			227			234		
Standard Reflector Assy	212	112057	1	220	112058	1	228	112059	1	235	112060	1
Wire Grid (Same as Option DN2)	213	110246	1	221	110247	1	229	110248	1	236	110249	1
Protective Screen for unit w/ Std Reflector (Same as Opt DN3)	214	115381	1	222	115382	1	230	123383	1	237	115384	1
Parabolic Reflector (Same as Opt DM2)	215	110242	1	223	110243	1	231	110244	1	238	110245	1
Heat Shield (Same as Option DO2)	216	110250	1	224	110251	1	--	--	-	--	--	-

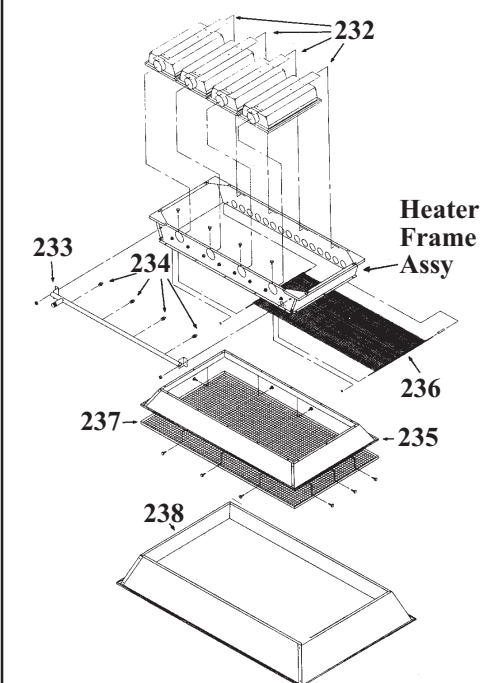
Main Gas Orifice Chart (CODES 131, 139, 147, and 154)

	RIHN 30	RIHN 60	RIHL 50	RIHVN 100	RIHVL 90	RIHVN 150	RIHVL 120	RIHVN 160	RIHVN 200
Qty	1	1	1	2	2	3	3	4	4
P/N	113191	143574	112103	112102	112104	112102	112105	112709	112102
Size	#43	#30	#46	#32	5/64"	#32	#49	#36	#32

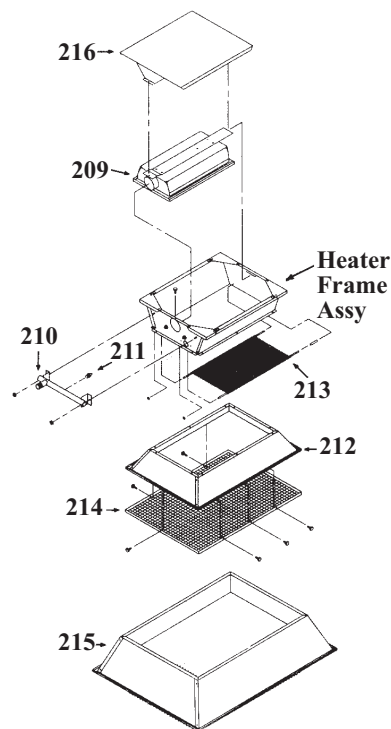
Models RIHVN 150, RIHVL 120



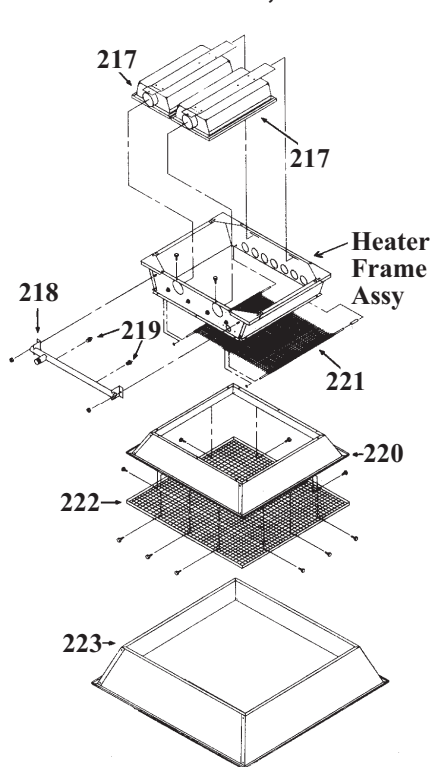
Model RIHVN 160, RIHVN 200



Models RIHN 30, RIHN 60, RIHL 50



Models RIHVN 100, RIHVL 90



Thomas & Betts

(800) 695-1901, www.RezSpec.com

©2006 Thomas & Betts Corporation, All rights reserved.

MANUFACTURER OF HEATING, COOLING, AND VENTILATING SYSTEMS

Trademark Note: Reznor® is registered in the United States and other countries.

6/06 Form P-VR/TRPA/RIH (Version B)